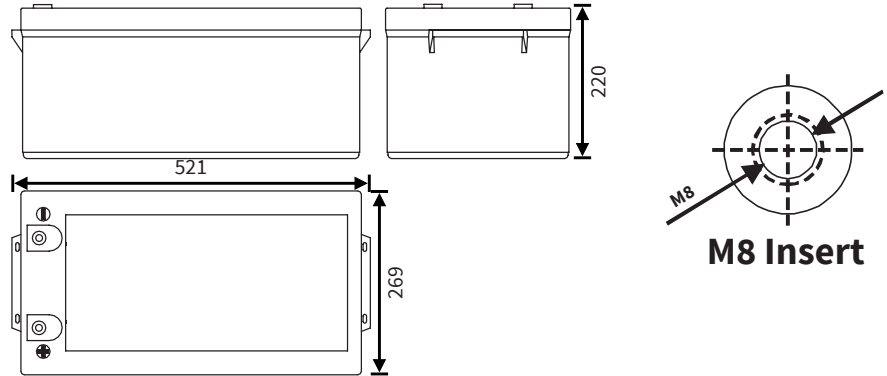


CPL 250-12

Long life AGM battery (10-12 year design life)

Dimensions (mm)

Standard terminal



No image available at this time

Typical applications

- UPS systems
- Data centers
- Telecom systems
- Security systems
- Emergency lighting
- Air traffic power stations
- Medical equipment
- Solar energy

Features

- Valve Regulated Lead Acid (VRLA)
- Maintenance free
- Absorbent Glassmat Technology (AGM)
- Built to comply with DIN 43534, IEC8962, BS6290-pt.4
- Low self discharge
- Classified as non-spillable under IATA, ADR and IMDG regulations
- Can be discharged or stored in any position without leakage
- Battery cannot be charged while upside down
- Produced under ISO 9001 & ISO 14001

Nominal voltage	12 V
Nominal capacity (1.70V/c, 25°C)	20Hr: 266.0 Ah 10Hr: 253.0 Ah
Nominal power (1.65V/c, 25°C)	15Min: 258.0 W/cell
Internal resistance	≤2.6mΩ (fully charged)
Maximum charge current	75.0 A
Maximum discharge current	1800 A (max. 5 sec)
Float use / cyclic use	13.6V - 13.8V / 14.1V - 14.4V
Self discharge	Lower than 3% per month
Operating temperature range	-20°C ~ 50°C
Designlife (20°C)	10-12 years in float (Eurobat)
Standard terminal	Insert M8 (14 Nm Torque)
Housing material	ABS (UL94-HB)
Dimensions Length	521 mm
Dimensions Width	269 mm
Dimensions Height	220 mm
Approximate Weight	78.00 kg
Packing	1 pcs / box

Constant Current Discharge (Amps) at 25 °C (77°F)

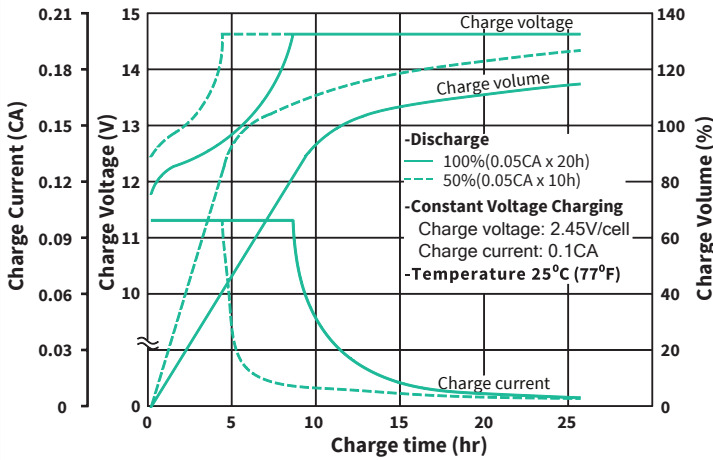
FV/TIME	15 Min	30 Min	60 Min	2 Hr	3 Hr	4 Hr	5 Hr	6 Hr	8 Hr	10 Hr	20 Hr
1.80V/cell	348	219	141	86.4	60.6	49.7	42.4	37.1	29.1	25.0	13.1
1.75V/cell	367	227	146	88.7	62.5	51.3	43.8	38.3	30.0	25.2	13.2
1.70V/cell	380	233	149	90.0	62.9	51.6	44.1	38.5	30.2	25.3	13.3
1.65V/cell	395	240	153	90.8	63.4	52.0	44.4	38.8	30.4	25.4	13.3
1.60V/cell	404	245	155	91.4	63.8	52.3	44.6	39.0	30.6	25.5	13.4

Constant Power Discharge (Watts) per Cell* at 25 °C (77°F)

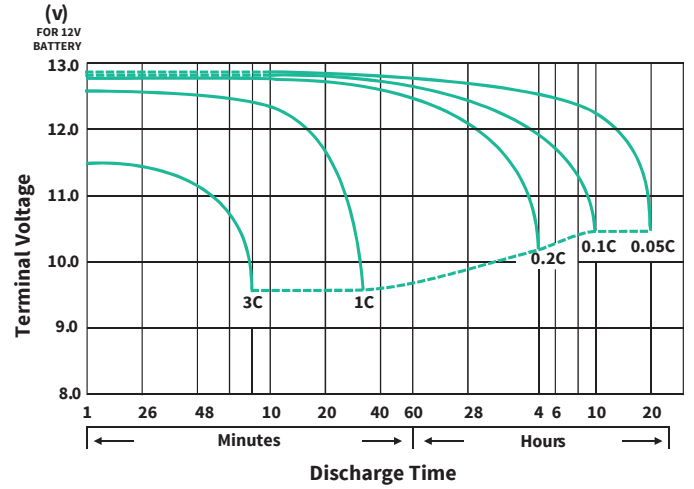
FV/TIME	15 Min	30 Min	60 Min	2 Hr	3 Hr	4 Hr	5 Hr	6 Hr	8 Hr	10 Hr	20 Hr
1.80V/cell	636,17	409,17	268,67	166,83	118,83	97,50	83,67	73,17	57,67	49,83	26,33
1.75V/cell	671,67	424,67	277,17	171,17	122,50	100,50	86,17	75,33	59,33	50,17	26,50
1.70V/cell	695,33	435,17	282,67	173,67	123,33	101,17	86,83	75,83	59,83	50,33	26,67
1.65V/cell	722,00	449,00	290,00	175,33	124,17	101,83	87,33	76,33	60,17	50,50	26,67
1.60V/cell	739,83	458,17	294,50	176,33	125,00	102,50	87,83	76,83	60,67	50,67	26,67

*: Battery consists of 6 cells

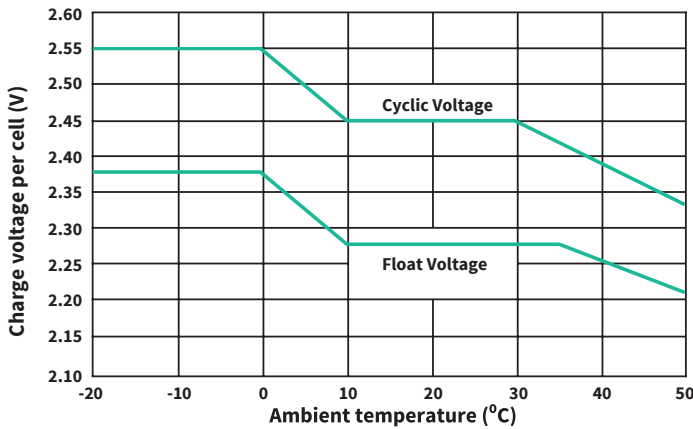
Charge characteristics



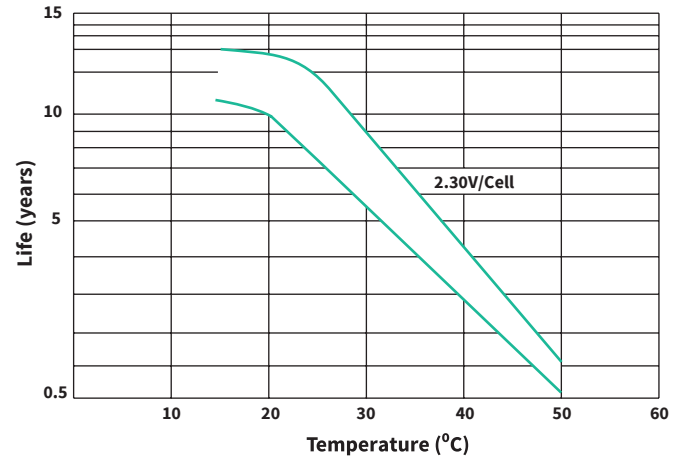
Discharge characteristics



Charge voltage in relation to temperature



Service life in relation to temperature



Models available

Model	Voltage	Capacity (Ah)	Dimensions (mm)	Weight (kg)
CPL 9-12L	12	9	151x65x102	2.70
CPL 12-12	12	12	151x98x101	3.70
CPL 18-12	12	18	181x76x167	5.45
CPL 28-12I	12	28	168x178x124	8.40
CPL 28-12IA	12	28	164x124x175	9.00
CPL 33-12	12	33	195x130x160	10.70
CPL 45-12I	12	45	198x167x160	13.80
CPL 55-12I	12	55	229x138x213	17.30
CPL 65-12IJ	12	65	350x167x179	23.40
CPL 80-12	12	80	260x170x207	24.20
CPL 100-12	12	100	307x168x214	29.50
CPL 135-12	12	135	342x172x285	41.40
CPL 150-12	12	150	485x172x240	47.00
CPL 250-12	12	250	521x269x220	78.00

Cellpower family

Cellpower supplies a broad range of reliable AGM, GEL and Lithium batteries. Each product series has its own unique characteristics, so that there is a suitable battery for every application with its associated specific usage profile. Combined with the right Cellpower battery accessories, you are able to assemble a high-quality and reliable battery system.

The sealed, maintenance-free AGM lead battery type has a long operational lifetime. When used correctly, the Absorbed Glass Mat (AGM) technology offers dependable, lasting service. Additionally, AGM batteries exhibit very little self-discharge when compared with other lead-acid batteries. Sealed lead-acid batteries require low maintenance and do not need to be refilled with water or other liquids.

