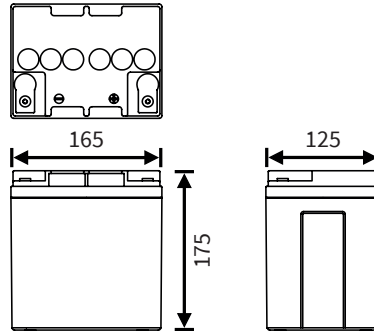


## CPW 140-12

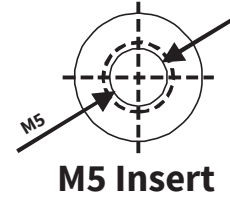
Long life High Rate AGM battery (10-12 years)



### Dimensions (mm)



### Standard terminal (mm)



## Typical applications

- UPS systems
- Data centers
- Telecom systems
- Security systems
- Emergency lighting
- Air traffic power stations
- Start boosters
- Medical equipment

## Features

- Valve Regulated Maintenance Free (VRLA)
- Absorbent Glass Mat Technology (AGM)
- Built to comply with DIN 43534, IEC896-2, BS6290-pt.4
- Low self discharge
- Classified as non-spillable and Non Dangerous goods by IATA, FAA, ADR, IMDG
- Can be discharged or stored in any position without leakage
- Battery cannot be charged while upside down
- Produced under ISO 9001 & ISO 14001

Nominal voltage	12 V
Nominal capacity (1.75V/c, 25°C)	20Hr: 28.0 Ah 10Hr: 26.6 Ah
Nominal power (1.75V/c, 25°C)	10Min: 134.5 W/cell
Internal resistance	≤10mΩ (fully charged)
Maximum charge current	8.4 A
Maximum discharge current	420 A (max. 5 sec)
Float use / Cycle use	13.5 - 13.8V / 14.4 - 15.0V
Self discharge	Lower than 3% per month
Operating temperature range	-20°C ~ 50°C
Designlife (20°C)	10-12 years in float (EUROBAT)
Standard terminal	Insert M5 (4.0 Nm torque)
Housing material	ABS (UL94-HB)
Dimensions Length	165 mm
Dimensions Width	125 mm
Dimensions Height	175 mm
Approximate Weight	9.60 kg
Packing	2 pcs / box

\*: 5 years warranty optional. Warranty valid for stand-by use only. Additional terms and conditions may apply. Ask your Cellpower representative.

### Constant Current Discharge (Amps) at 25 °C (77°F)

F.V/TIME	5 Min	10 Min	15 Min	30 Min	1 Hr	3 Hr	5 Hr	10 Hr	20 Hr
1.80V/cell	91,2	65,6	51,9	30,1	17,12	6,80	4,69	2,621	1,379
1.75V/cell	107,5	71,1	54,3	31,3	17,64	6,94	4,76	2,660	1,400
1.70V/cell	114,2	73,6	56	32,0	17,96	7,00	4,79	2,673	1,407
1.65V/cell	119,3	75,4	57,3	32,4	18,17	7,05	4,80	2,681	1,411
1.60V/cell	123,3	76,9	58,4	32,7	18,35	7,09	4,82	2,681	1,411

### Constant Power Discharge (Watts) per Cell\* at 25 °C (77°F)

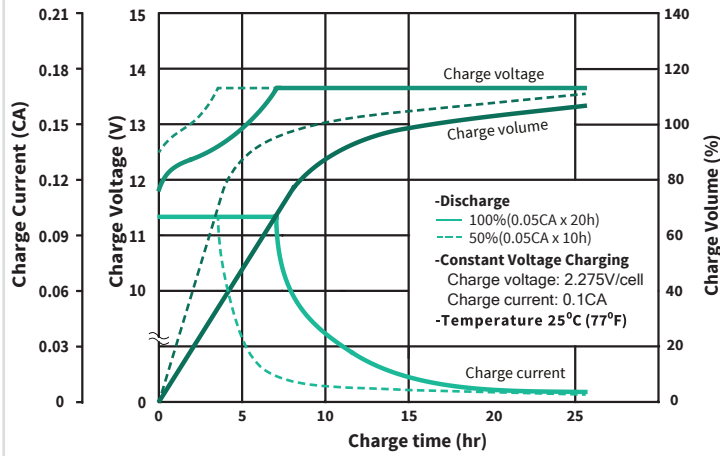
F.V/TIME	5 Min	10 Min	15 Min	30 Min	1 Hr	3 Hr	5 Hr	10 Hr	20 Hr
1.80V/cell	168,67	124,17	99,33	59,17	33,97	13,60	9,383	5,242	2,758
1.75V/cell	195,33	134,50	104,17	61,50	34,98	13,87	9,517	5,320	2,800
1.70V/cell	207,50	139,33	107,33	62,83	35,62	14,00	9,567	5,347	2,813
1.65V/cell	216,83	142,67	109,83	63,83	36,03	14,10	9,600	5,363	2,822
1.60V/cell	224,00	145,67	112,00	64,33	36,40	14,18	9,633	5,363	2,822

### Constant Current / Power Discharge (Amps/ Watts) per Cell\* at 25 °C (77°F)

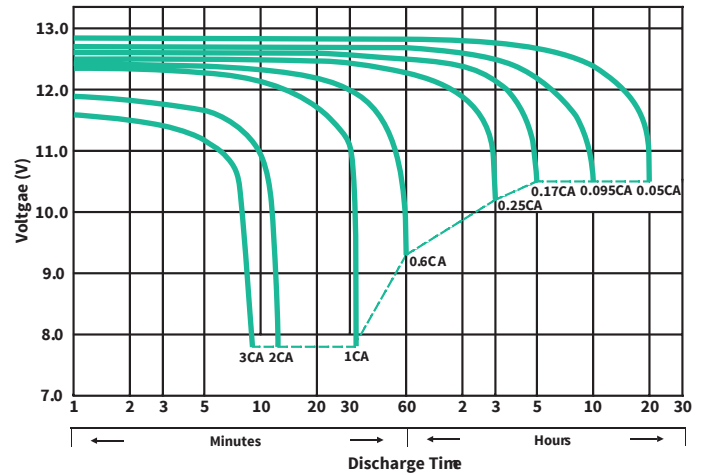
F.V/TIME	5 Min	10 Min	15 Min	30 Min	1 Hr	3 Hr	5 Hr	10 Hr	20 Hr
1.75V/cell	107.5 A	71.1 A	54.3 A	31.3 A	17.64 A	6.94 A	4.76 A	2.660 A	1.400 A
1.75V/cell	195.33 W	134.50 W	104.17 W	61.50 W	34.98 W	13.87 W	9.517 W	5.320 W	2.800 W

\*: Battery consists of 6 Cells

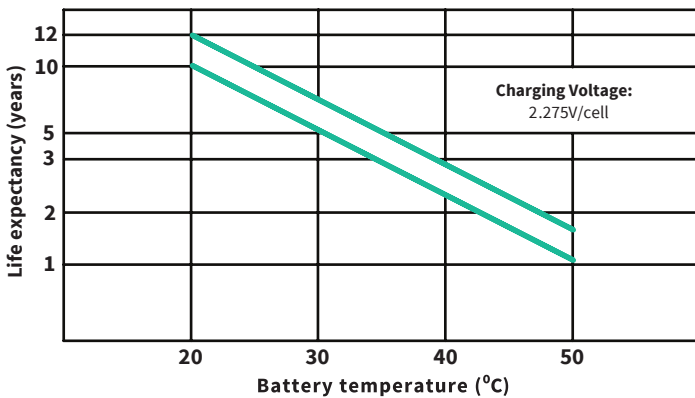
## Charge characteristics



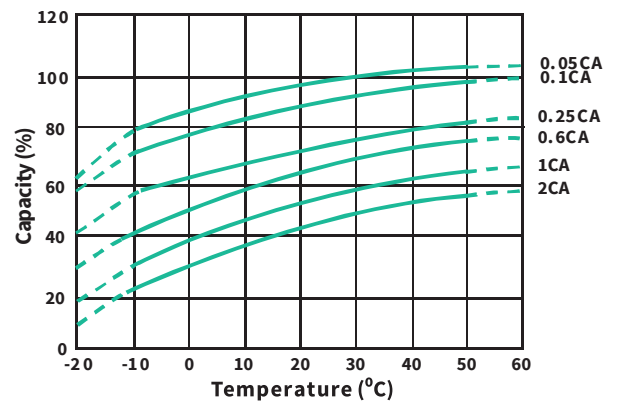
## Discharge characteristics



## Life expectancy in relation to temperature



## Capacity in relation to temperature



## Models available

Model	Voltage	Capacity (Ah)	Dimensions (mm)	Weight (kg)
CPW 30-12	12	5.0	90x70x106	1.80
CPW 35-12	12	7.0	151x65x98	2.20
CPW 35-12L	12	7.0	151x65x98	2.20
CPW 50-12	12	8.5	151x65x100	2.75
CPW 80-12	12	13	151x98x98	4.20
CPW 110-12	12	21	181x76x166	6.50
CPW 140-12	12	28	165x125x175	9.60
CPW 160-12	12	33	195x129x168	11.25
CPW 200-12	12	40	197x165x171	14.30
CPW 270-12	12	55	228x139x207	17.80
CPW 390-12	12	80	261x173x207	26.00
CPW 440-12	12	88	261x173x207	26.40
CPW 530-12	12	110	330x173x218	34.30
CPW 650-12	12	135	344x173x277	41.10
CPW 750-12	12	155	344x173x277	45.50

## Cellpower family

Cellpower supplies a broad range of reliable AGM, GEL and Lithium batteries. Each product series has its own unique characteristics, so that there is a suitable battery for every application with its associated specific usage profile. Combined with the right Cellpower battery accessories, you are able to assemble a high-quality and reliable battery system.

The sealed, maintenance-free GEL battery type has a long operational lifetime. When used correctly, the technology offers dependable, lasting service. Additionally, GEL batteries exhibit very little self-discharge when compared with other lead-acid batteries. Sealed lead-acid batteries require low maintenance and do not need to be refilled with water or other liquids.

