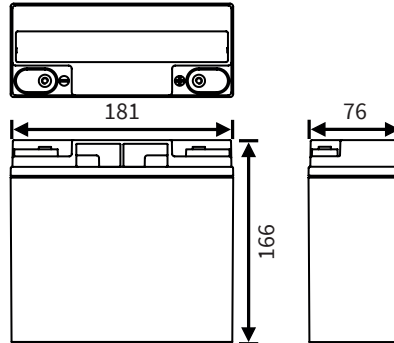


CPW 110-12

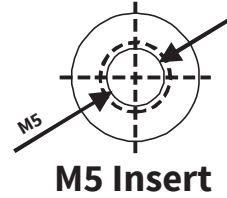
Long life High Rate AGM battery (10-12 years)



Dimensions (mm)



Standard terminal (mm)



Typical applications

- UPS systems
- Data centers
- Telecom systems
- Security systems
- Emergency lighting
- Air traffic power stations
- Start boosters
- Medical equipment

Features

- Valve Regulated Maintenance Free (VRLA)
- Absorbent Glass Mat Technology (AGM)
- Built to comply with DIN 43534, IEC896-2, BS6290-pt.4
- Low self discharge
- Classified as non-spillable and Non Dangerous goods by IATA, FAA, ADR, IMDG
- Can be discharged or stored in any position without leakage
- Battery cannot be charged while upside down
- Produced under ISO 9001 & ISO 14001

Nominal voltage	12 V
Nominal capacity (1.75V/c, 25°C)	20Hr: 21.0 Ah 10Hr: 20.1 Ah
Nominal power (1.75V/c, 25°C)	10Min: 110.6 W/cell
Internal resistance	≤9mΩ (fully charged)
Maximum charge current	6.0 A
Maximum discharge current	300 A (max. 5 sec)
Float use / Cycle use	13.5 - 13.8V / 14.4 - 15.0V
Self discharge	Lower than 3% per month
Operating temperature range	-20°C ~ 50°C
Designlife (20°C)	10-12 years in float (EUROBAT)
Standard terminal	Insert M5 (4.0 Nm torque)
Housing material	ABS (UL94-HB)
Dimensions Length	181 mm
Dimensions Width	76 mm
Dimensions Height	166 mm
Approximate Weight	6.50 kg
Packing	2 pcs / box

*: 5 years warranty optional. Warranty valid for stand-by use only. Additional terms and conditions may apply. Ask your Cellpower representative.

Constant Current Discharge (Amps) at 25 °C (77°F)

F.V/TIME	5 Min	10 Min	15 Min	30 Min	1 Hr	3 Hr	5 Hr	10 Hr	20 Hr
1.80V/cell	80,54	54,04	38,59	24,52	13,48	5,16	3,559	1,989	1,041
1.75V/cell	90,59	58,22	40,71	25,01	13,64	5,27	3,612	2,010	1,052
1.70V/cell	98,00	60,31	41,96	25,54	13,80	5,31	3,632	2,029	1,062
1.67V/cell	102,50	62,05	42,92	25,57	13,83	5,34	3,639	2,032	1,064
1.65V/cell	103,52	62,55	43,24	25,72	13,85	5,35	3,645	2,035	1,065

Constant Power Discharge (Watts) per Cell* at 25 °C (77°F)

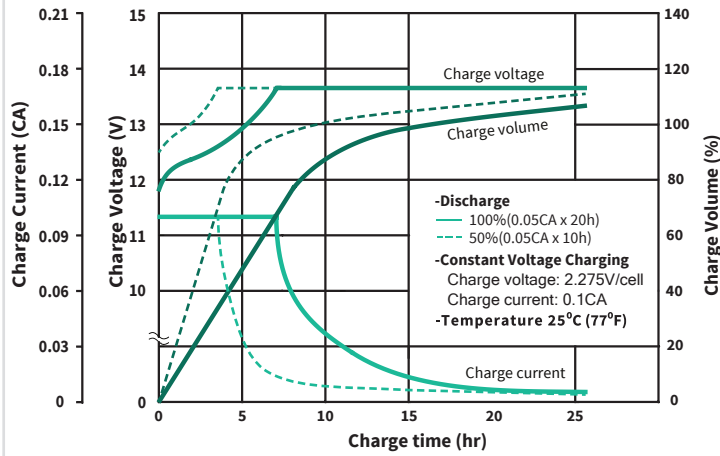
F.V/TIME	5 Min	10 Min	15 Min	30 Min	1 Hr	3 Hr	5 Hr	10 Hr	20 Hr
1.80V/cell	150,33	102,67	74,35	48,22	26,95	10,32	7,118	3,978	2,082
1.75V/cell	169,10	110,63	78,44	49,19	27,29	10,53	7,225	4,020	2,105
1.70V/cell	179,67	114,58	80,85	50,23	27,60	10,62	7,264	4,058	2,124
1.67V/cell	187,92	117,90	82,69	50,28	27,67	10,68	7,279	4,065	2,129
1.65V/cell	189,79	118,84	83,31	50,59	27,71	10,70	7,290	4,070	2,131

Constant Current / Power Discharge (Amps / Watts) per Cell* at 25 °C (77°F)

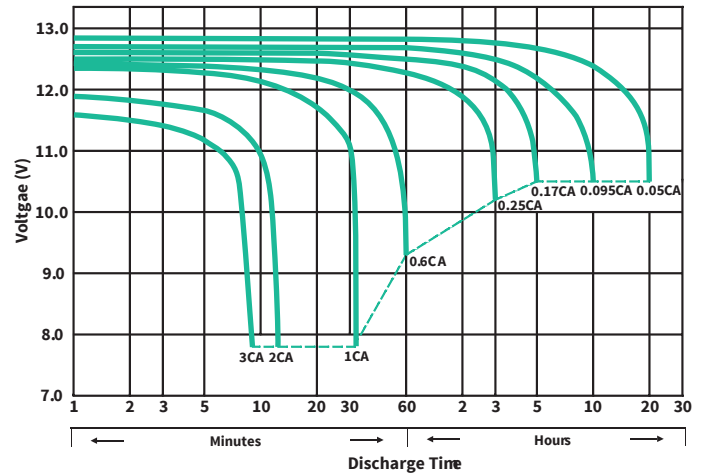
F.V/TIME	5 Min	10 Min	15 Min	30 Min	1 Hr	3 Hr	5 Hr	10 Hr	20 Hr
1.75V/cell	90.59 A	58.22 A	40.71 A	25.01 A	13.64 A	5.265 A	3.612 A	2.010 A	1.052 A
1.75V/cell	169.10 W	110.63 W	78.44 W	49.19 W	27.29 W	10.53 W	7.225 W	4.020 W	2.105 W

*: Battery consists of 6 Cells

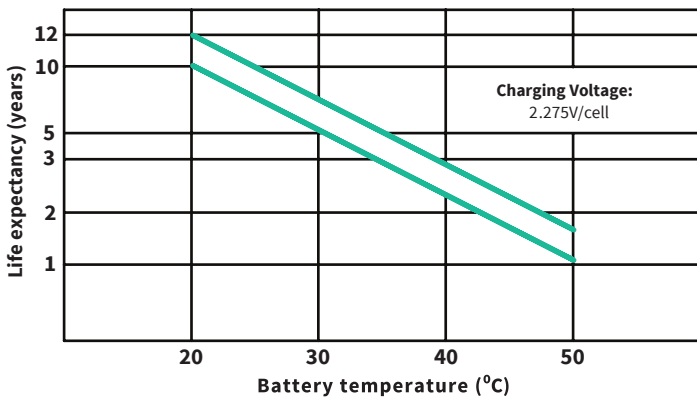
Charge characteristics



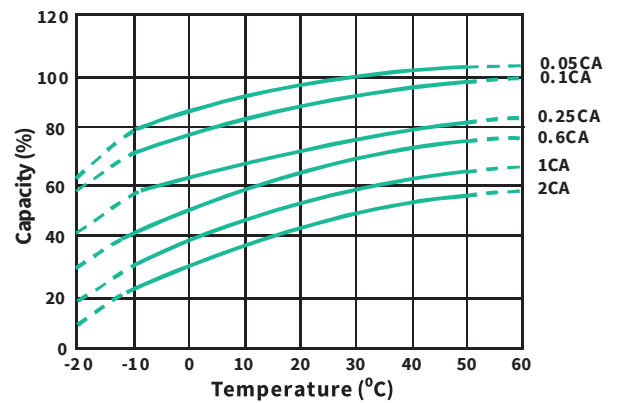
Discharge characteristics



Life expectancy in relation to temperature



Capacity in relation to temperature



Models available

Model	Voltage	Capacity (Ah)	Dimensions (mm)	Weight (kg)
CPW 30-12	12	5.0	90x70x106	1.80
CPW 35-12	12	7.0	151x65x98	2.20
CPW 35-12L	12	7.0	151x65x98	2.20
CPW 50-12	12	8.5	151x65x100	2.75
CPW 80-12	12	13	151x98x98	4.20
CPW 110-12	12	21	181x76x166	6.50
CPW 140-12	12	28	165x125x175	9.60
CPW 160-12	12	33	195x129x168	11.25
CPW 200-12	12	40	197x165x171	14.30
CPW 270-12	12	55	228x139x207	17.80
CPW 390-12	12	80	261x173x207	26.00
CPW 440-12	12	88	261x173x207	26.40
CPW 530-12	12	110	330x173x218	34.30
CPW 650-12	12	135	344x173x277	41.10
CPW 750-12	12	155	344x173x277	45.50

Cellpower family

Cellpower supplies a broad range of reliable AGM, GEL and Lithium batteries. Each product series has its own unique characteristics, so that there is a suitable battery for every application with its associated specific usage profile. Combined with the right Cellpower battery accessories, you are able to assemble a high-quality and reliable battery system.

The sealed, maintenance-free GEL battery type has a long operational lifetime. When used correctly, the technology offers dependable, lasting service. Additionally, GEL batteries exhibit very little self-discharge when compared with other lead-acid batteries. Sealed lead-acid batteries require low maintenance and do not need to be refilled with water or other liquids.

